

## Instruction for Use

Trade Name: Base Unit Attachment

**Warning**  
When using operating table accessories, always pay close attention to the patient. Patients left in the same posture for an extended period of time are at risk for developing nerve paralysis and/or bedsores.

**Contraindication / Prohibition**

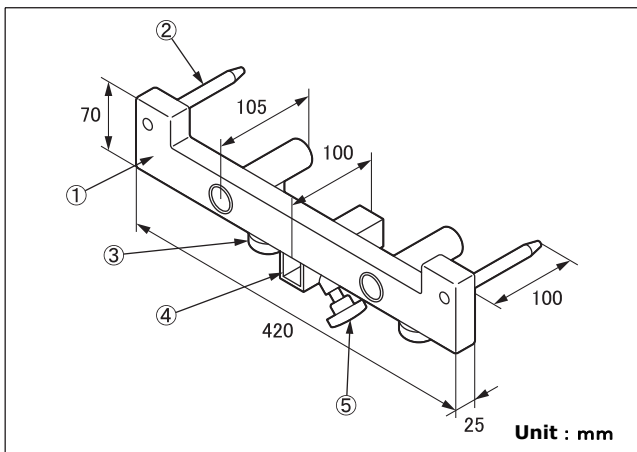
1. This product is only validated for use with Mizuho operating tables.
2. Ensure all fixing handles are tight. Loose condition can cause the products to come off or move, which may result in a patient injury.

**Symbol mark for labeling**

**MD** : Medical Device

**Specifications**

1. Shape



Code No.	Product Description
08-075-11	Attachment for Mayfield Head Support

2. Weight

2.1 kg

3. Material

- ① Frame: Stainless steel bar
- ② Attachment pins: Stainless steel bar
- ③ Flexing knob: Plastic
- ④ Insert hole of Attachment: Stainless steel pipes
- ⑤ Flexing knob of Attachment: Plastic

Note: The number corresponds to those used in 1. Shape.

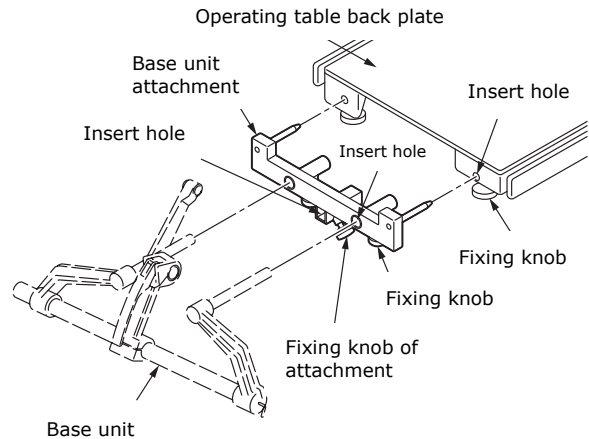
**Intended purpose**

This is an accessory to an operating table for attaching the base unit such as the Head Supporter.

**Intended user**

This product is to be used by health care professionals, including but not limited to surgeons, nurses and biomedical technicians.

**Instructions for use**



**Base unit**

1. Remove the head board from an operating table.
  2. Attach the Attachment for Mayfield Head Support to the back board insertion holes of the operating table.
  3. Fix the fixing knob of the back board.
  4. Attach the base unit to the Attachment for Mayfield Head Support.
  5. Fix the clamping handles of the Attachment for Mayfield Head Support.
  6. Attach the desired component part to the base unit.
  7. Use an attachment of other manufacturers if needed. (See the instruction manuals of the products about how to install the product.)
- See the instruction manual of the Base Unit Attachment for more usage information of the base unit.

**Warning / Caution**

1. Warning  
Check always if tightening sections are fixed securely. Otherwise the apparatus may be disengaged or moved, causing hazards on the patient.
2. Important caution
  - 2-1. When working with an operating table, take care not to allow this product to make contact or interfere with the table top or with other tools and appliances used in combination with this product.
  - 2-2. For hygiene, be sure to use sterilized drapes on the areas on this product where the patient comes into contact with it.

**Storage / Life**

1. Do not store the device in high temperatures or in areas with high humidity where the temperature has drastic variations.
2. Service life of this product: 7 years (subject to the specified maintenance and inspection and is stored properly)

## Maintenance / Inspection

<By the user>

1. Inspection before and after use  
Check that this product is not damaged or broken before and after use.
2. Cleaning and disinfection  
Wipe off blood, chemicals, contaminants, and other stains with water, and clean the device with gauze or other material moistened with alcohol to disinfect.
3. In case of a malfunction  
If you need to have this product repaired, clearly label the device as "Broken", "Need repair" etc. and contact your local dealer or Mizuho.

<By agents>

Maintenance and inspection can only be carried out by certified agents of Mizuho.

## Packing

1 piece per pack

## Warranty

MIZUHO Corporation will repair defective parts of this product without charge for one year from the date of delivery/installment except for cases of damage caused by a third party's repair, acts of nature, improper use or intentional damage. All other warranty terms and conditions are subject to MIZUHO Corporation regulations.

## Disposal

This device must be disposed of in accordance with local regulations. Please contact your local distributor for proper disposal.

## Notice

Any serious incident that has occurred in relation to the device should be reported to the manufacturer and the competent authority in which the user and / or patient is established.

## Manufacturer



MIZUHO Corporation  
3-30-13 Hongo, Bunkyo-ku, Tokyo 113-0033, Japan  
<http://www.mizuho.co.jp>

## European authorized representative



Emergo Europe B.V.  
Prinsessegracht 20, 2514 AP, The Hague  
The Netherlands